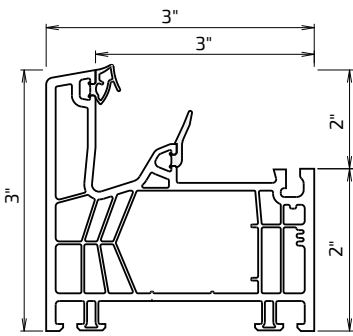
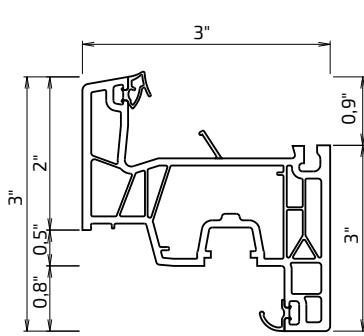


Kömmerling® profile system

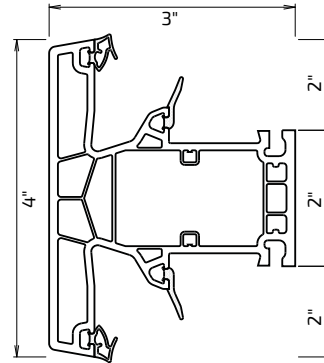
Kömmerling 76MD windows



frame



sash



mullion



Kömmerling® 76MD is a modern profile system with a unique range of characteristics. Maximum heat, maximum sound insulation and stylish modern design

chambers	mounting width	thickness of insulating glass unit
6	76 mm	16-50 mm
thermal conductivity Uf	sound insulation	air permeability
1,0 W/ (m²K)	47 dB	4 class
wind loads resistance	water tightness	safety class
up to C5/B5	up to 9A	up to RC2 (WK2)

Profile system advantages

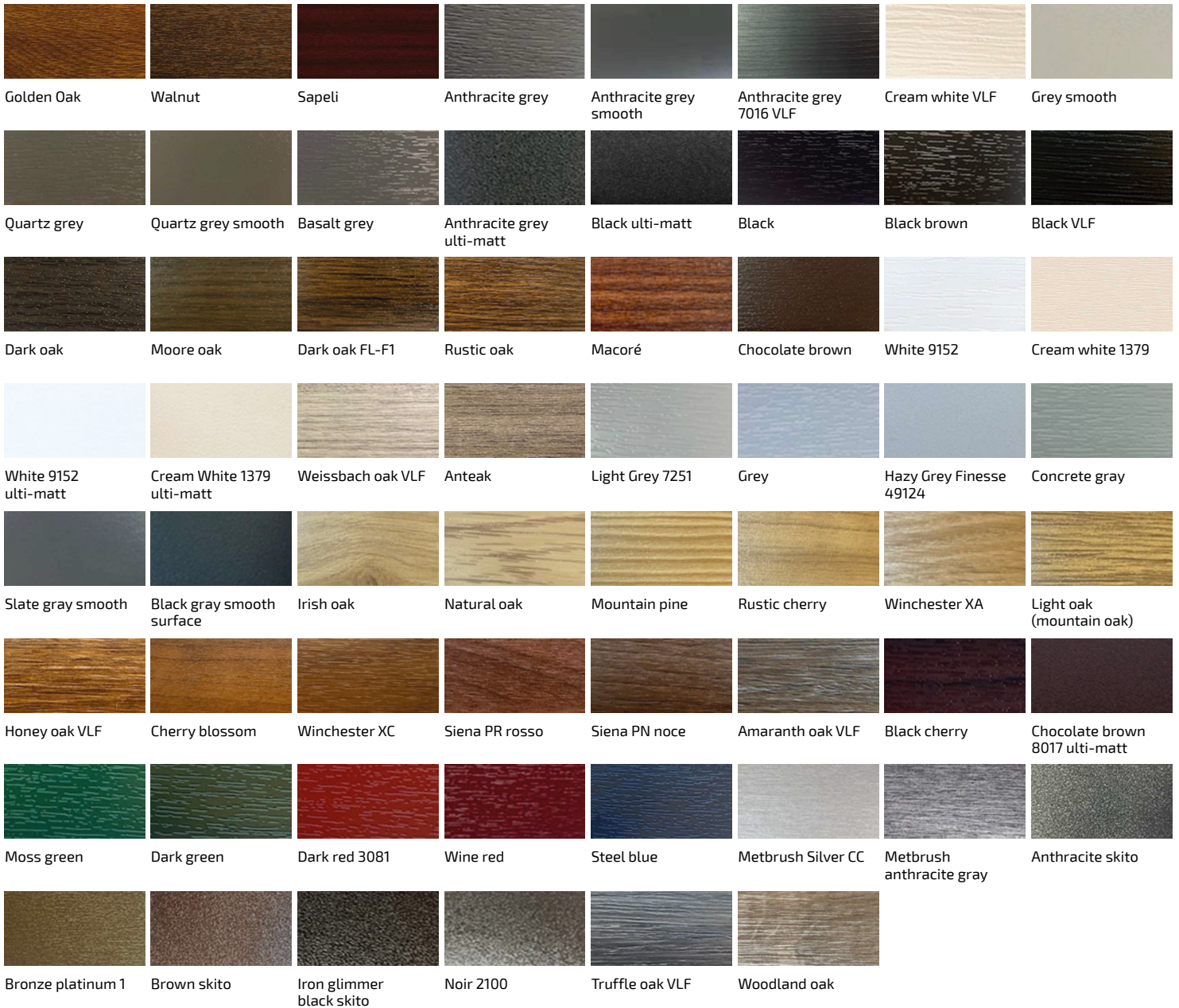
Six-chamber structure and additional middle sealing contour provide windows with the profile system Kömmerling® 76MD excellent tightness and low thermal conductivity.

The room gets reliable protection against draughts and heat loss. The configuration of the profile creates more light, so you no longer have to choose between warmth and light

Color palette

decorative
tape RENOLIT
EXOFOL PX

the color of lamination



the color of sealing strip



the color of the structure body

