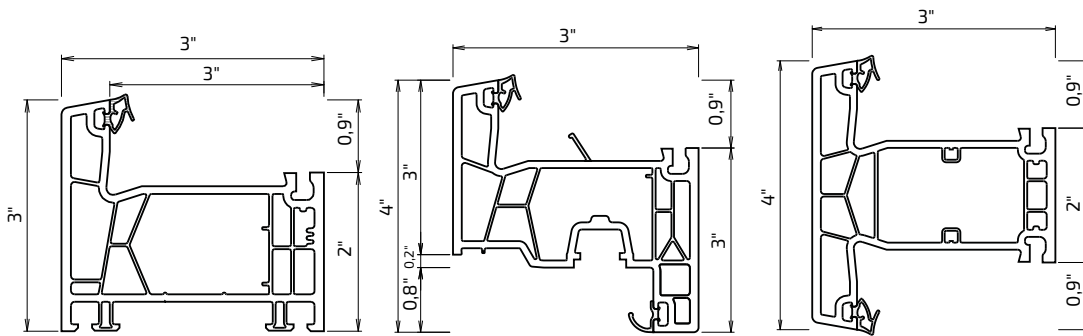


Kömmerling® profile system

Kömmerling 76AD windows



frame

sash

mullion



The Kömmerling® 76AD window system combines the most important features of metal-plastic windows for consumers: high energy efficiency, good protection against burglary attempts and stylish modern design

chambers	mounting width	thickness of insulating glass unit
5	76 mm	16-50 mm
thermal conductivity Uf	sound insulation	air permeability
1,1 W/ (m²K)	47 dB	4 class
wind loads resistance	water tightness	safety class
up to C5/B5	up to 9A	up to RC2 (WK2)

Profile system advantages

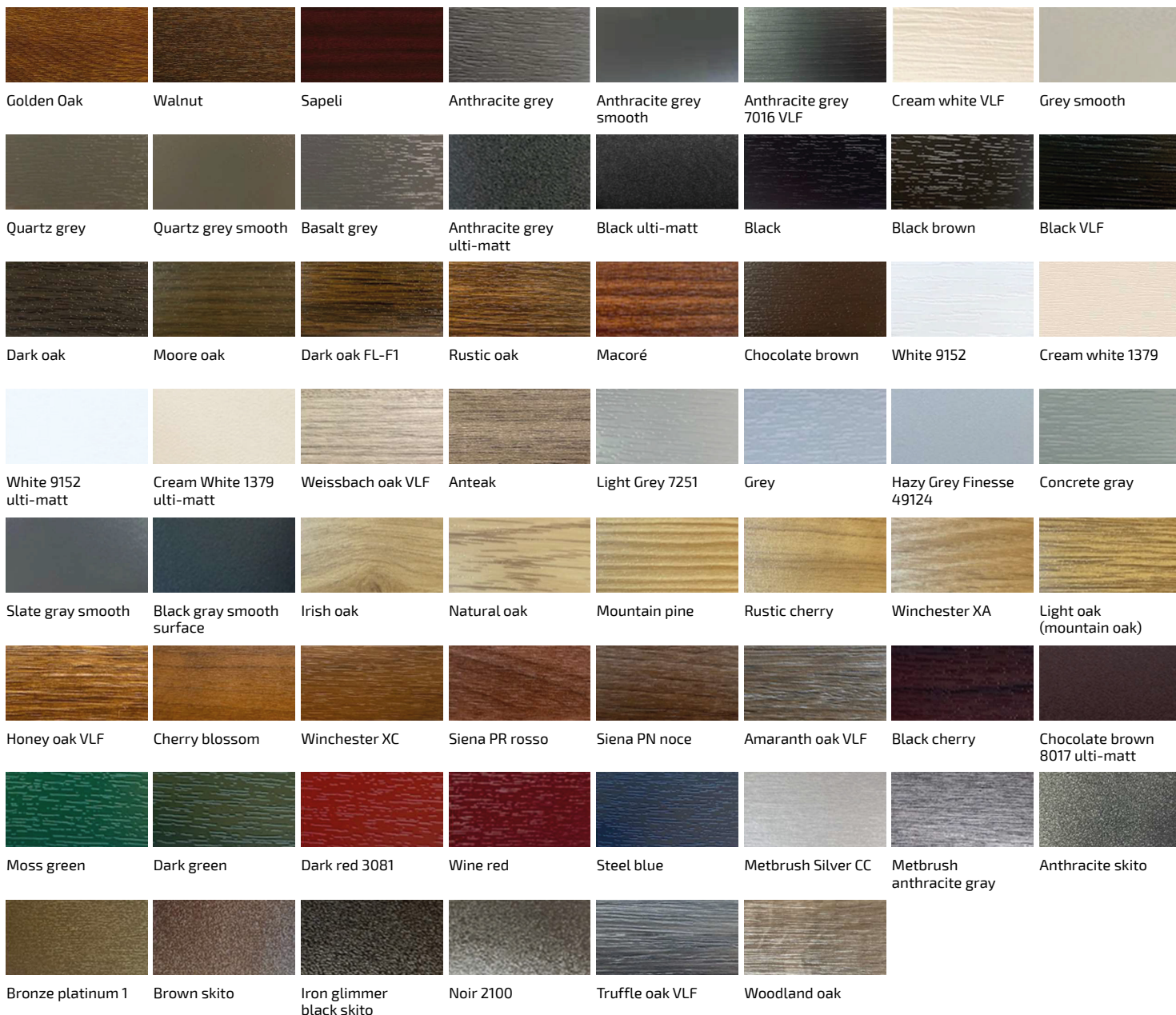
The Kömmerling® 76AD system is rightly considered one of the new generation of profiles. With its relatively compact dimensions, it has excellent rigidity and thermal insulation values which are usually typical for more massive systems.

The stylish design allows Kömmerling® 76AD to be used in rooms with high demands on appearance and the high environmental friendliness of the profile is an additional plus

Color palette

decorative
tape RENOLIT
EXOFOL PX

the color of lamination



the color of sealing strip



Black

the color of the structure body



White

Dark brown

Anthracite