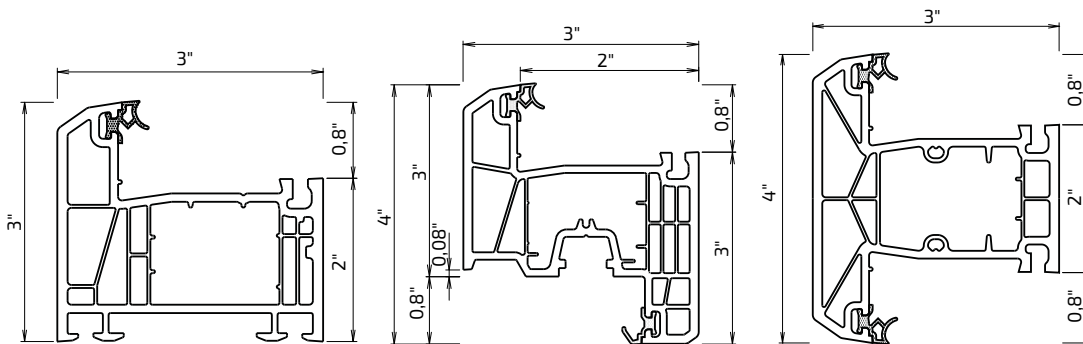


Kömmerling® profile system

Kömmerling 70ST plus



frame

sash

mullion



The Kömmerling® 70ST plus window system is a profile system that is light, strong, and effective at a reasonable price. Windows made of Kömmerling® 70ST plus combine functionality, comfort and absolute safety

chambers	mounting width	thickness of insulating glass unit
6	70 mm	40 mm
thermal conductivity Uf	sound insulation	air permeability
1,15 W/ (m²K)	45 dB	4 class
wind loads resistance	water tightness	safety class
up to C5	up to E1500	up to RC2 (WK2)

Profile system advantages

The window structures based on the Kömmerling® 70ST plus profile system are ideal for installation in apartment buildings, offices and commercial premises. The profile system provides good thermal insulation values, and with the choice of a suitable insulating glass unit, excellent sound insulation can be achieved.

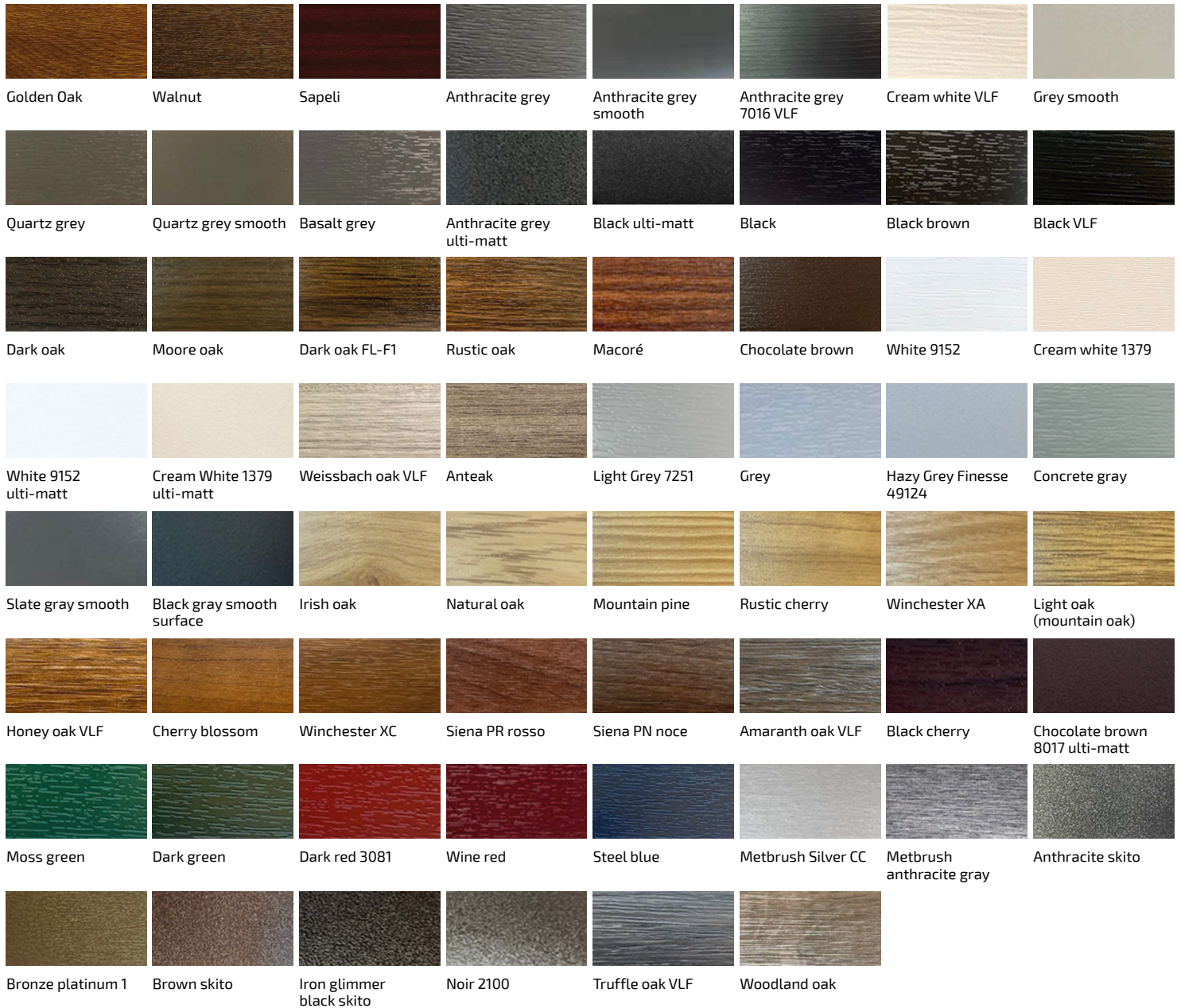
Closed reinforcement and the possibility of installing additional locking points provide good burglary protection

Kömmerling 70ST plus windows

Color palette

decorative
tape RENOLIT
EXOFOL PX

the color of lamination



the color of sealing strip



the color of the structure body

