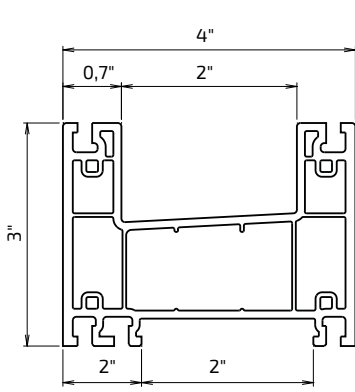
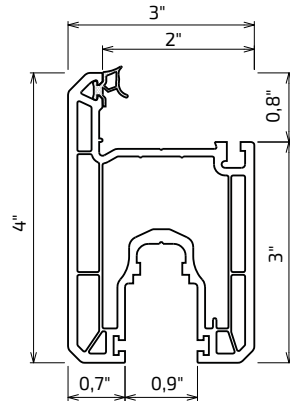


Kömmerling® profile system

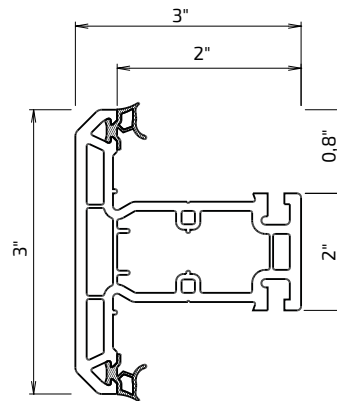
Kömmerling PremiLine



frame



sash



mullion



The Kömmerling® PremiLine sliding system is designed for creating sliding doors in wide openings. The ideal solution for office and commercial buildings

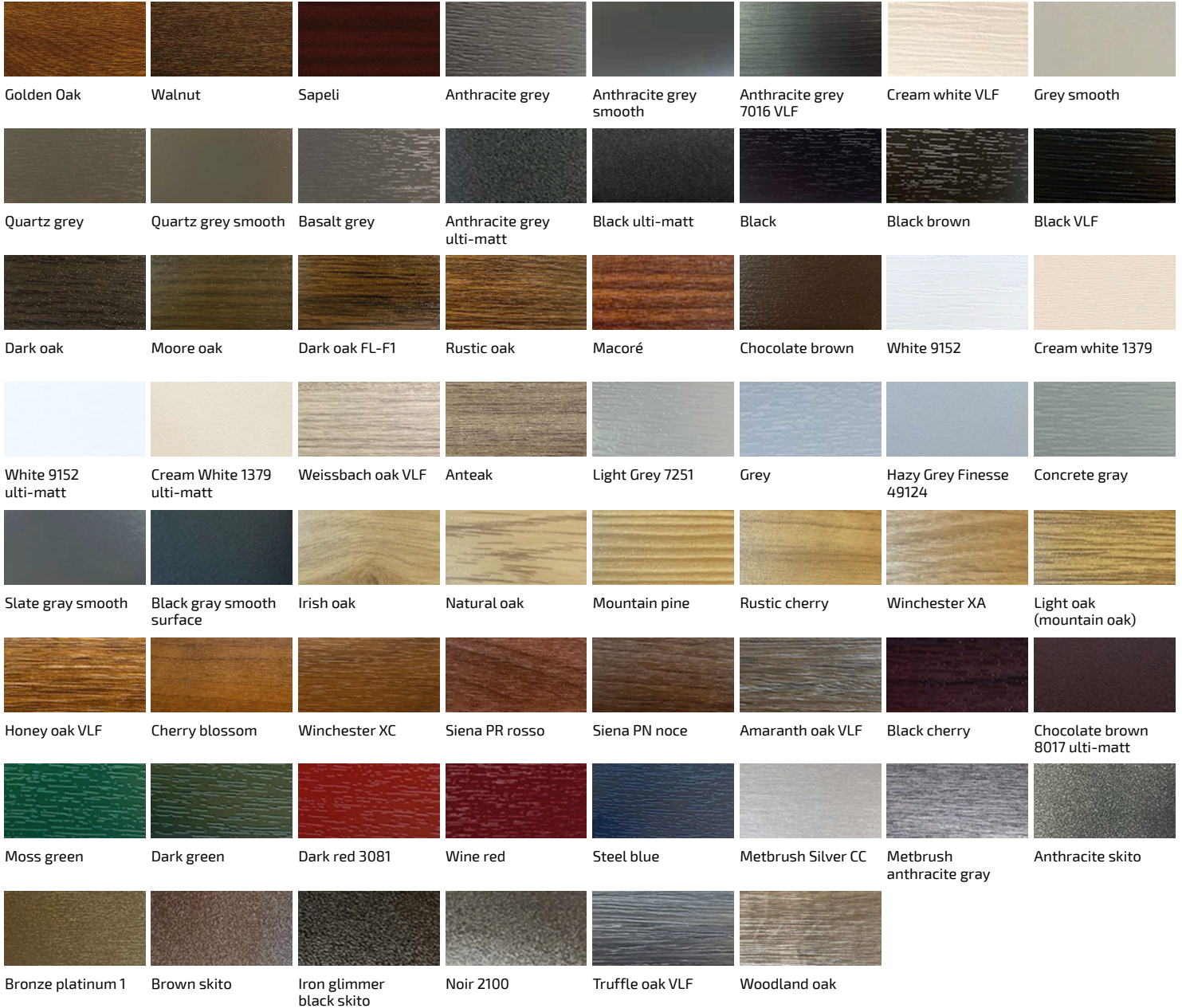
chambers	mounting frame width	mounting sash width
3	80 mm	54 mm
thickness of insulating glass unit	thermal conductivity Uf	sound insulation
28 mm	2,3 W/(m²K)	39 dB
air permeability	wind loads resistance	water tightness
4 class	up to C1, B2, A3	up to 7A

Profile system advantages

The flexible Kömmerling® PremiLine sliding door system is perfectly adapted to any space. It can accommodate up to four leaves, with a third rail allowing for an additional leaf to be fitted.

The sloping rebate facilitates drainage, and the aesthetic shape of the sashes makes the design flawless. The high strength of the profile ensures stable geometry of the products even with large dimensions

the color of lamination



the color of sealing strip



the color of the structure body

